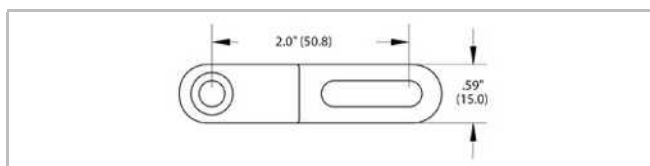
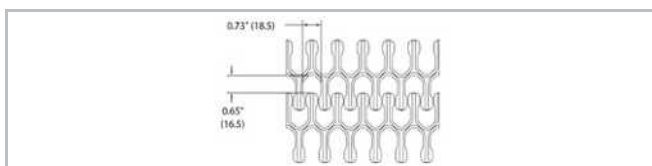
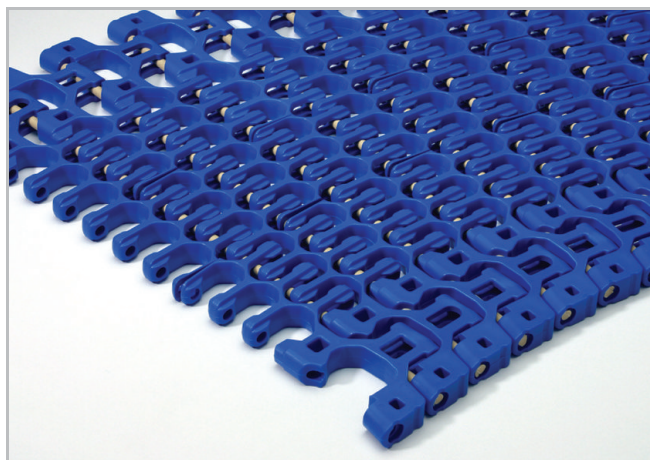


Description

- 2 inch pitch
- Belt turning radius equals 1.6 times the nominal belt width
- 50% open area; 85% open contact area; largest opening 17.3x17.8 mm (0.68"x0.70")
- Food approved materials
- Connecting rod diameter = 0.250 inch (6.4 mm)
- Standard belt width increments = 1 inch (25.4 mm) nominal, starting from 12 inches (304.8 mm)
- Adjustable radius plugs available: sizes 1.8, 2.0, 2.2, 2.5, and 3.0 turning radius
- Material selection may affect belt width — please contact your local partner for actual dimensions



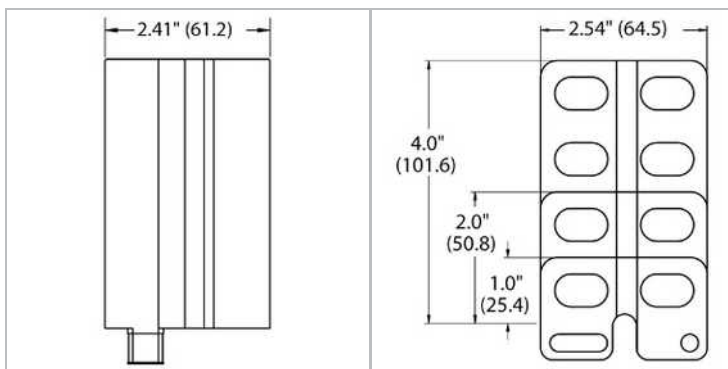
Belt data

Belt material		POM	PP
Rod material		PA	
Nominal tensile strength F'_N straight run	N/m lb/ft	21898 1500	17518 1200
Nominal tensile strength F_N in curve ⁽¹⁾ metric For PDS only	lb lb	1779 400	1111 250
Temperature range	°C °F	-40 - 93 -40 - 200	5 - 105 40 - 220
Belt weight m_B	kg/m ² lb/sqft	7.4 1.51	4.9 1.00
Standard belt color		blue	blue

Additional belt colors and materials available, stainless steel rods available.

Protection type: IP1X (DIN EN 60259 / IEC 529)

Belt accessories



Side guards

Side guards are available in 1/2\", 1\", 2\" and 4\" heights

Lane Divider

Available in 1/2\", 1\", 2\" and 4\" heights



Disclaimer

Product Application Disclaimer (valid for ALL Habasit products and mentioned on all PDS)

This disclaimer is made by and on behalf of Habasit and its affiliated companies, directors, employees, agents and contractors (hereinafter collectively "HABASIT") with respect to the products referred to herein (the "Products"). SAFETY WARNINGS SHOULD BE READ CAREFULLY AND ANY RECOMMENDED SAFETY PRECAUTIONS BE FOLLOWED STRICTLY! Please refer to the Safety Warnings herein, in the Habasit catalogue as well as installation and operating manuals. All indications / information as to the application, use and performance of the Products are recommendations provided with due diligence and care, but no representations or warranties of any kind are made as to their completeness, accuracy or suitability for a particular purpose. The data provided herein are based on laboratory application with small-scale test equipment, running at standard conditions, and do not necessarily match product performance in industrial use. New knowledge and experience may lead to re-assessments and modifications within a short period of time and without prior notice.

EXCEPT AS EXPLICITLY WARRANTED BY HABASIT, WHICH WARRANTIES ARE EXCLUSIVE AND IN LIEU OF ALL OTHER WARRANTIES, EXPRESS OR IMPLIED, THE PRODUCTS ARE PROVIDED "AS IS". HABASIT DISCLAIMS ALL OTHER WARRANTIES, EITHER EXPRESS OR IMPLIED, INCLUDING, BUT NOT LIMITED TO, IMPLIED WARRANTIES OF MERCHANTABILITY, FITNESS FOR A PARTICULAR PURPOSE, NON-INFRINGEMENT, OR ARISING FROM A COURSE OF DEALING, USAGE, OR TRADE PRACTICE, ALL OF WHICH ARE HEREBY EXCLUDED TO THE EXTENT ALLOWED BY APPLICABLE LAW. BECAUSE CONDITIONS OF USE IN INDUSTRIAL APPLICATION ARE OUTSIDE OF HABASIT'S CONTROL, HABASIT DOES NOT ASSUME ANY LIABILITY CONCERNING THE SUITABILITY AND PROCESS ABILITY OF THE PRODUCTS, INCLUDING INDICATIONS ON PROCESS RESULTS AND OUTPUT.